

FORKLIFT TRUCK

SCP160V4

STANDARD FEATURES

- ➔ Powered tilting cab
- ➔ Backup camera with object detection system
- ➔ Separate brake fluid and hydraulic oil tanks
- ➔ Enclosed cab with automatic climate control and with a high back, cloth, air suspension seat
- ➔ Powerful Cummins engine

36,000 lbs

Rated Without Load

52,000 lbs

Weight Without Load

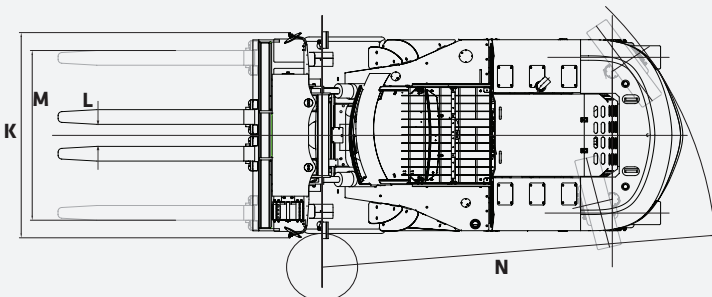
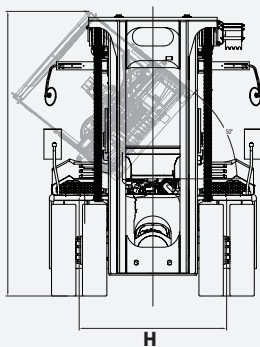
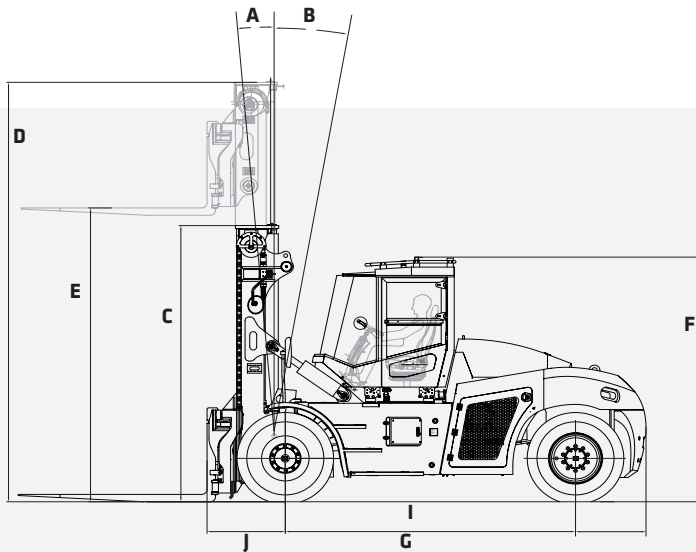
148"

Wheelbase

Cummins Diesel

Engine

DIMENSIONS



DIMENSIONS

MAST

A	Forward Tilt	15°	
B	Back Tilt	12°	
C	Height Lowered	148"	3 754 mm
D	Height Extended	225"	5 704 mm
E	Lift Height	157"	4 000 mm

OVERALL

F	Cab height	141"	3 590 mm
G	Length to Load Face	225"	5 705 mm
H	Width	115"	2 910 mm
I	Wheelbase	148"	3 750 mm
J	Load Distance	41"	1 043 mm

FORK

	Thickness	4"	100 mm
	Width	8"	200 mm
	Length	96"	2 440 mm

CARRIAGE

K	Width	100"	2 540 mm
---	-------	------	----------

FORK SPREAD

L	In-In Minimum	11"	275 mm
M	Out-Out Maximum	90"	2 274 mm

GROUND CLEARANCE

	Minimum Ground Clearance	12"	300 mm
--	--------------------------	-----	--------

AISLE WIDTH

	With Load Length	350"	8 883 mm
--	------------------	------	----------

TURNING RADIUS

N	Outside	205"	5 200 mm
---	---------	------	----------

STANDARD AND OPTIONAL EQUIPMENT

s = standard / o = optional

SCP160V4	ENGINE
s	QSB 6.7L Cummins Diesel with 225HP @ 2,200rpm
s	Tier 4 Final EPA Emissions Compliant
s	High Intake, Long Life Air Filter w/ Safety Element
s	Fuel Filter with Water Separator
s	Variable Geometry Turbocharger
s	500-Hr Engine-Oil-Change Interval
s	Electronic Controlled
s	24V, 100A Alternator
s	Turbocharger Protection via Engine Shut Off Delay
DRIVETRAIN	
s	Dana TE17 Transmission
s	3 Forward & 3 Reverse Gears
s	Kessler D91 Drive Axle
s	Heavy Duty Wet Disc Brakes
s	Electronically Actuated Parking Brake
s	6 x 12.00-20 Pneumatic Tires
o	6 x 12.00-24 Pneumatic Tires
MAST	
s	Duplex Mast, MFH 157", OALH 148", EXT 225"
o	Duplex Mast, Various Heights
s	Hook Type Carriage
o	Apron Type Carriage
s	Independent Fork Positioner
s	Simultaneous Fork Positioner
o	Side Shift Carriage
s	96" x 7.87" x 3.54" Hook Type Forks
ACCESSORIES	
s	Reverse Camera w/ 7" Color Display
s	Rear Object Detection Sensor up to 10"
s	Common Greasing Points for Steer Axle and Mast
s	Automatic Engine Fire Extinguisher
s	Locking Fuel Cap
o	Travel Speed Limiter
o	Integrated Tire Pressure Monitoring System
o	Extreme Cold Climate Package (Fuel, Engine and Hydraulics)
o	Customized Colors or Labels
s	Lockable Battery Disconnect Switch
o	Steer Wheel Lug Nut Protection
s	Rear Lifting Eyes



STANDARD AND OPTIONAL EQUIPMENT

s = standard / o = optional

SCP160V4	OPERATOR'S STATION
s	High Visibility Enclosed Cabin w/ Curved Glass
s	Grammer Air Suspension Cloth Seat
s	Climate Control with A/C and Heat
s	Ergonomic Multifunction Joystick
o	Individual Hydraulic Control Levers
s	Telescoping and Tilting Steering Column
s	Steering Wheel Spinner Knob
s	AM/FM Radio with 2 Speakers and USB Connectivity
s	Front, Rear and Top Wiper
s	Top Retractable Sun Shade
s	12V/24V Power Supply
s	Push Button Applied Park Brake
s	Reading Light
s	Exterior Cabin Mounted Mirrors
s	Powered Tilting Cabin for Ease of Maintenance
ELECTRICAL	
s	2 Front Fender Mounted LED Lights
s	2 Front Cab Mounted LED Lights
s	2 Rear Cab Mounted LED Lights
s	2 Mast Mounted LED Working Lights
s	Indicator and Hazard lights
s	Rotating Amber Beacon
o	Additional LED Lights

PRODUCT SPECIFICATIONS FORKLIFT TRUCKS || SCP160V4

WORKING RANGE

SPECIFICATIONS		
GENERAL		
Rated Load Capacity	36,000 lbs	16 330 kg
Load Center	48"	1 220 mm
Load Distance	41"	1 043 mm
Wheelbase	148"	3 750 mm
Hydraulic Tank Capacity	48 gal	183 l
Fuel Tank Capacity	82 gal	310 l
WEIGHTS		
Total Truck Weight without Load	52,000 lbs	23 400 kg
Axle Loading with Load		
Front	77,200 lbs	35 000 kg
Rear	9,700 lbs	4 400 kg
Axle Loading without Load		
Front	24,700 lbs	11 200 kg
Rear	26,900 lbs	12 200 kg
WHEELS		
Tire Type	Pneumatic	
Tire Size		
Drive	12.00-20 18PR	
Steer	12.00-20 18PR	

LIFTING PERFORMANCE

PERFORMANCE		
SPEED		
Travel		
With Load	15 mph	24 km/h
Without Load	16 mph	25 km/h
Lifting		
With Load	78 ft/min	0.40 m/s
Without Load	88 ft/min	0.45 m/s
Lowering		
With Load	88 ft/min	0.45 m/s
Without Load	84 ft/min	0.43 m/s
DRAWBAR		
Pull-Max	31,000 lbf	138 kN
GRADEABILITY @ 1 MPH (1.6 KM/H)		
With Load	33%	

In the interest of continual equipment development, SANY America Inc. reserves the right to change these specifications at any time without prior notification.

POWERTRAIN		
ENGINE		
Type	Cummins QSB 6.7 Diesel	
Emmissions Type	EPA Tier 4 Final	
Output		
Rated	225 hp	168 kW
Governed Speed	2,200 rpm	
Cylinders		
Number	6	
Disp	6.7 l	
Turbocharger	Variable geometry	
ALTERNATOR		
Amps	24V	100A
Drive Axle	Kessler D91	
Transmission	Dana TE17	
GEARS		
Forward	3	
Reverse	3	
BATTERY		
Capacity	24 V 120 Ah	
BRAKES		
Service	Wet Disc	
Parking	Dry Disc	
TANK CAPACITY		
DEF	10 gal	38 l

MAST		
TYPE	Duplex	
*Height Maximum	157"	4 000 mm
*OALH	148"	3 754 mm
*Extended	225"	5 704 mm
*Freelift	-	-
Fork Type	Pin	
Carriage Type	Hook	

* All imperial numbers have been rounded to the nearest whole number.
* Multiple masts heights available from 118" - 275" lift height.



SANY America Inc.
318 SANY Way
Peachtree City, Georgia 30269
470.552.SANY

©2023 SANY America Inc. P0RPS23SCP160V4001



sanyamerica.com



*Warranty applies to 2023 Forklift, Container Handler and Reach Stacker models only.